

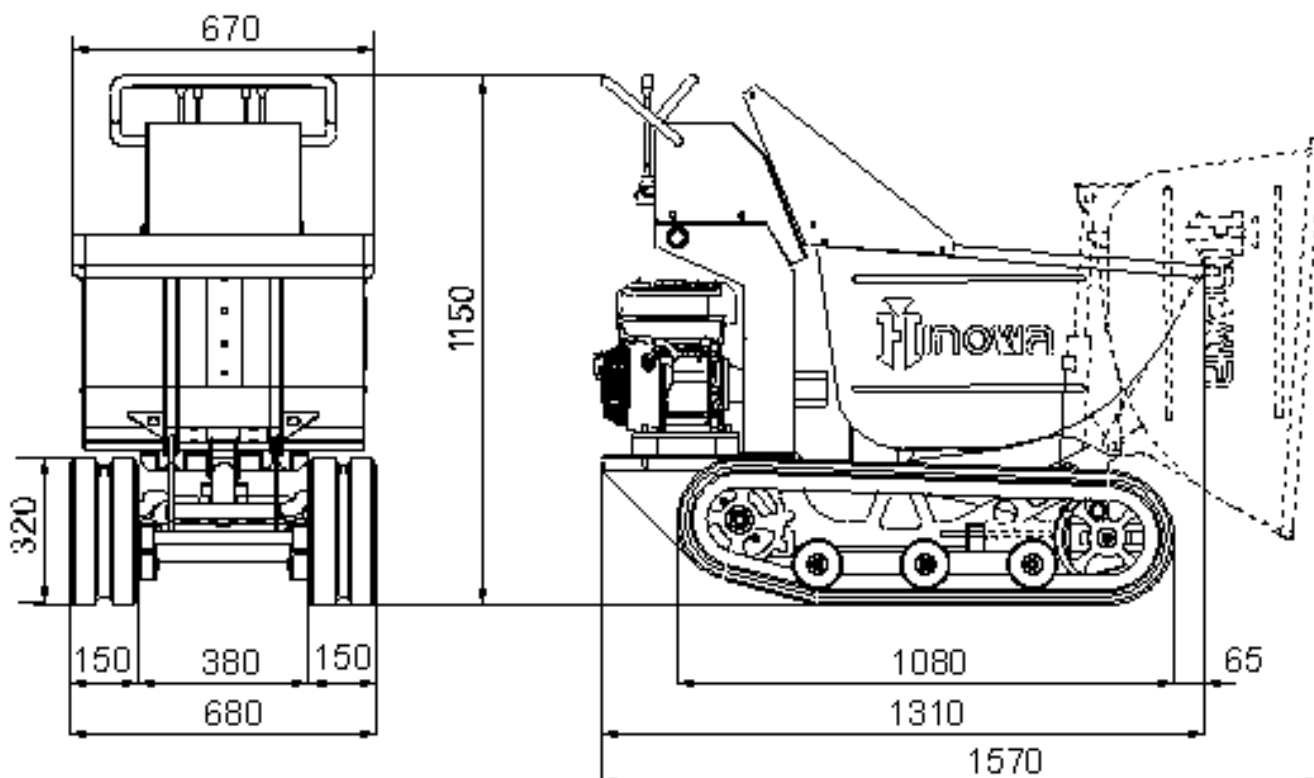
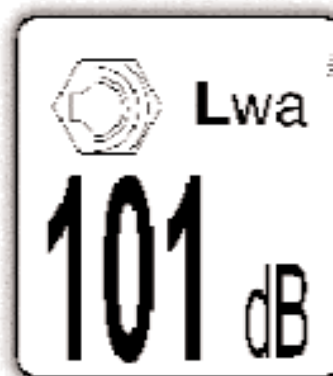


# MINIDUMPER HS400 WITH DUMPER BED AND HYDRAULIC TILTING



Technical data of the minidumper HS400  
with construction bed and hydraulic tilting

Weight.....	255 kg
Skip's capacity .....	0.165 m <sup>3</sup>
Loading capacity .....	450 kg
Max width .....	680 mm
Max noise level .....	101 dB



# MINIDUMPER HS400 WITH DUMPER BED AND HYDRAULIC TILTING

## Petrol engine

Brand ..... Honda  
Type ..... GX200  
Pistons and displacement ..... Single-cylinder 196 cc  
Max gross power @ rev/min ..... 6,5 cv - 4,8 kw @ 3600 rev/min  
Max gross power ..... 3600 rev/min  
Starting ..... manual  
Performance ..... Max inclination 25° (approx. 60%)  
Granted noise level ..... Lwa 101 dB

## Distributor

Type ..... Mechanical

## Hydraulic pumps

Number and type ..... n° 2 gear pumps  
Liters/min capacity ..... n° 2 x 10,5 l/min  
Pressure ..... 110 bar

## Drive motors

Type ..... OMR N250  
Displacement ..... 250 cc

## Tracks

Track tensioner ..... Spring track tensioner  
Brand ..... Minitop  
Dimensions ..... 160 x 33 x 72 mm  
Rollers per side ..... 3  
Translation speed ..... 1.7 km/h  
Fixed undercarriage ..... 680 mm  
Capacity (incl. kit) ..... 450 kg

Operating weight with construction bed kit (without operator) ..... 255 kg

Petrol fuel tank ..... 3,6 liters