



Hino

SKID-STEER LOADERS



RHINO 

120-25 and 130-35

**They are suitable for every yard
and are:**

**HARD-WORKING
QUIET
RELIABLE**



RHINO skid-steer loaders combine many advantages in a compact space and are hard-working, quiet, easy to control and reliable.



Safety **Cabin** Fops Rops certified, with frontal access and emergency exit

Rigid **Bar** and seat belt for the operator

Manual **Pump** for tilting cabin

Lights for moving and working during the night

Breake-proof back **Hatch**

Manual **Joy Stick** for the control of moving and working operations

Control **Panel** for temperature and several components, in front of the operator

Oil plug for hydraulic equipment

Self-levelling **Bucket** with quick attachments

Rubber **Wheels** in several dimensions and treads

INTERCHANGEABLE ACCESSORIES:

- industrial pliers
- agricultural pliers
- pallet forks
- hydraulic hammer
- manual hydraulic hammer
- sweeper with collecting bucket
- angledozer blade
- mixing bucket (130-35)
- excavator
- auger

Full access to everywhere so that easy maintenance and inspection of the members are possible without any problem.



**120-25
130-35**



You can reach the hydrostatic transmission and the hydraulic system easily and inspect them completely thanks to the cabin hydraulic tilting system.



The driver's seat is large, well protected, easily accessible and comfortable.



The equipment you may use is varied and practical thanks to the quick attachment, which is reliable and handy.

TECHNICAL DATA

INDUSTRIAL PLIERS

	RHINO 120 - 25
	Width 1250 mm
	RHINO 130 - 35
	Width 1400 mm


AGRICULTURAL PLIERS

	RHINO 120 - 25
	Width 1250 mm
	RHINO 130 - 35
	Width 1400 mm

PALLET FORKS

	RHINO 120 - 25
	Width 1200 mm
	RHINO 130 - 35
	Width 1200 mm

SWEEPER WITH COLLECTING BUCKET

	RHINO 120 - 25
	345 litres
	RHINO 130 - 35
	390 litres

ANGLEDOZER BLADE

	RHINO 120 - 25
	Width 1520 mm
	RHINO 130 - 35
	Width 1520 mm


AUGER

	RHINO 120 - 25
	Max. depth 1500 mm
	Max. diameter 250 mm
	RHINO 130 - 35
	Max. depth 1500 mm
	Max. diameter 400 mm

EXCAVATOR

	RHINO 120 - 25
	Max digging depth 1900 mm
	RHINO 130 - 35
	Max digging depth 2450 mm

MIXING BUCKET

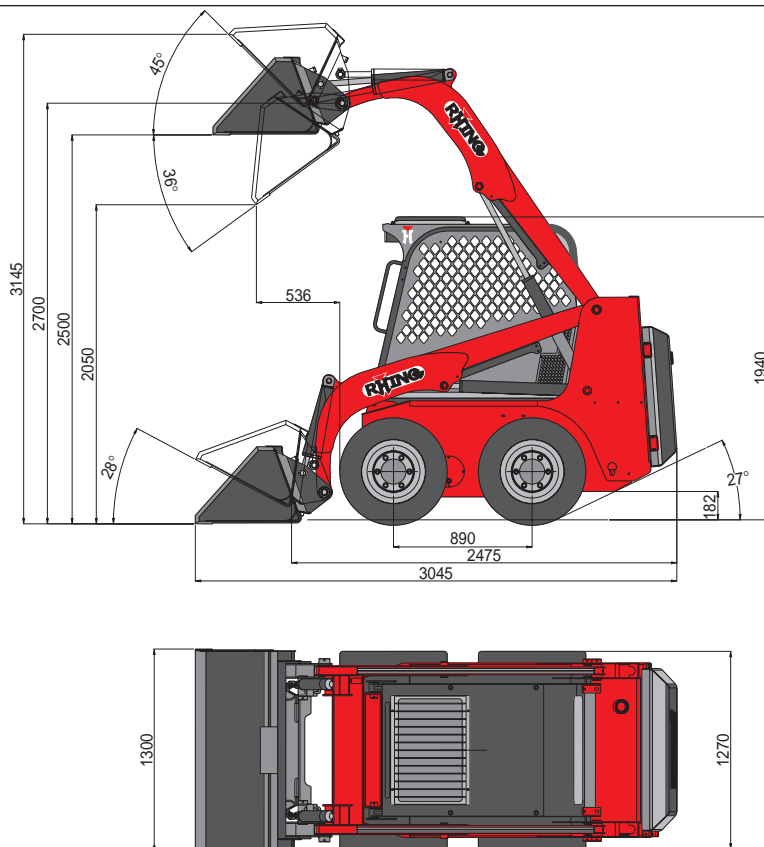
	RHINO 130 - 35
	Bucket capacity 225 litres

HYDRAULIC HAMMER

	RHINO 120 - 25
	105 kg
	RHINO 130 - 35
	105 kg

manual HYDRAULIC HAMMER

RHINO 120 - 25
21 kg
RHINO 130 - 35
21 kg



ENGINE

Brand	YANMAR
Type	3TNE88
Cooling	water cooled
Max. power	27,1 KW (36,3 Cv)
Setting power (SAE J 1349)	27,1 KW / 3000 g/1'
Max. torque (80/1269/EC)	105 Nm / 1600 g/1'
Displacement (cm³)	1642
Cylinders No.	3

ELECTRICAL SYSTEM

Working voltage	12 Volt
Battery	60 Ah
Alternator	40 A

TRANSMISSION

Hydrostatic, double pump, closed circuit	
Working or moving speed	0 - 9 km/h
Mech. brakes with hydr. release on moving motors	

CONTROLS

Controlled by two joy-sticks at the sides. The left lever controls the translation, the right one controls the blade lifting/tilting. Controls are released when the safety bar is lifted and/or the operator stands up.

WEIGHT

Working weight with standard bucket	1940 kg
---	---------

TYRES

Standard	27/8,50 x 15
----------------	--------------

HYDRAULIC SYSTEM

Bucket gear pump:	
Max. flow	42 l/1'
Series-parallel distributor, 3 sections to control lifting, tilting and optional	

Relief pressure	bar 140
Air-water and air-oil cooler, side by side type	

REFUELING

Oil tank capacity	125
Fuel tank capacity	125
Chain transmission sump's capacity	19 + 9

PERFORMANCES

Working load (ISO 5998)	368 daN (375 kg)
Tilting load (ISO 8313)	735 daN (750 kg)
Max. breaking force at lifting cylinder	1570 daN (1600 kg)
Max. breaking force at bucket cylinder	1210 daN (1230 kg)
Standard bucket capacity (ISO 7546)	0,32 m³

STANDARD EQUIPMENT

- Tilting cabin (thanks to hydr. system)
- Adjustable seat with seat belt
- Safety bar
- Complete instrument board
- Standard tyres
- Standard bucket
- Anchor points
- Lifting eyebolts
- Parking brake
- Reverse alarm
- Hydr. valve for blade's self levelling
- Back window (glass)
- Working lights
- Mech. quick attach
- Prearrangement for rotating lamp
- Loader's safety block
- Floating arm system



HINOWA S.p.a.
 Via Fontana - 37054 NOGARA (VR) ITALIA
 Tel. +39 - 0442 539100 / 0442 539106
 Fax +39 - 0442 539075
 e-mail: hinowa@hinowa.it
 web site: www.hinowa.com

